

TENSHON

RS-914 Shade Sail and Pole Configuration

2010 © Tenshon - 8743 E. Pecos Rd, Ste 122 - Mesa, Arizona 85212 - 1.480.663.3166 - info@tenshon.com - www.tenshon.com

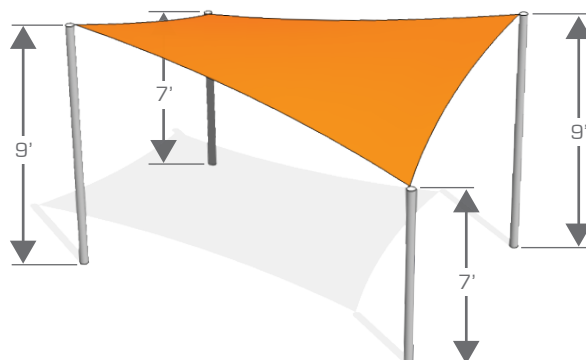
POLE DETAILS

Four poles are used to install a RS-914 shade sail.
(Total pole lengths are specified below, whereas this image shows only the portion of the poles that are above ground.)

Height: 10ft 6in (qty 2), 13ft 6inft (qty 1)

Diameter: 4in (100mm) outer diameter and 0.226in (5.740mm) wall thickness

Details: Schedule 40 steel pipe

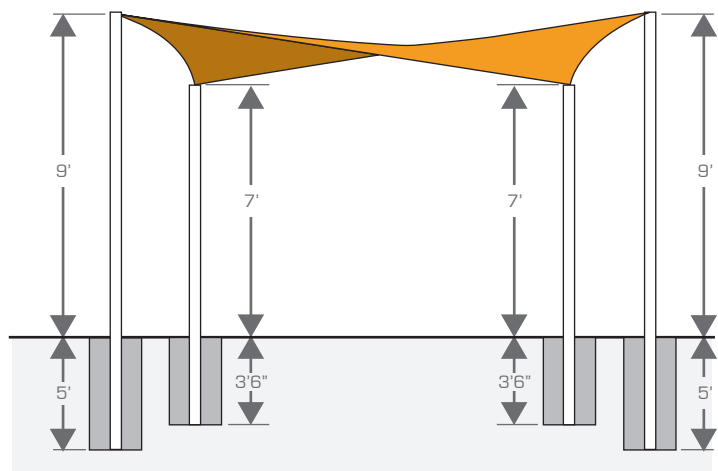
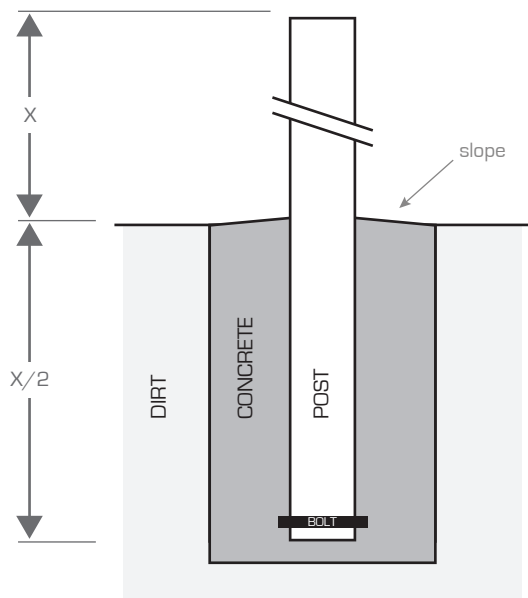
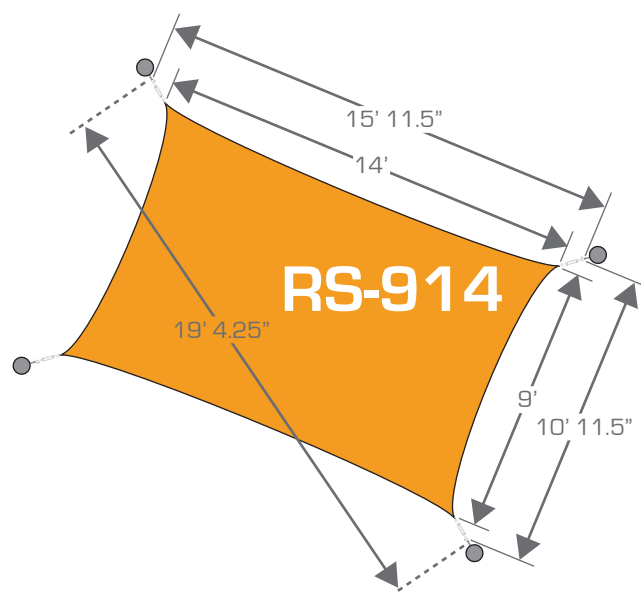


POLE PLACEMENT

One-Third of the total pole height should be placed in the ground, leaving two-thirds above ground.

1. Dig a hole with a 24in dia. x (pole height / 2)
2. Fill the bottom of the hole with a 4in concrete base.
3. Drill a hole through the post about 2in from the bottom and insert a bolt into the hole to help prevent twisting.
4. Position the pole, ensuring it is perpendicular to the ground.
5. Fill the hole with concrete.
6. Allow concrete to set as directed by the manufacturer.

Note: A gentle slope away from the poles helps to prevent water from pooling at the base of the poles.



DISCLAIMER: These instructions are provided as a courtesy to Tenshon customers and are to be used only as general guidelines. Tenshon accepts no responsibility for installations. If you are unsure about your installation please consult a qualified builder or engineer.